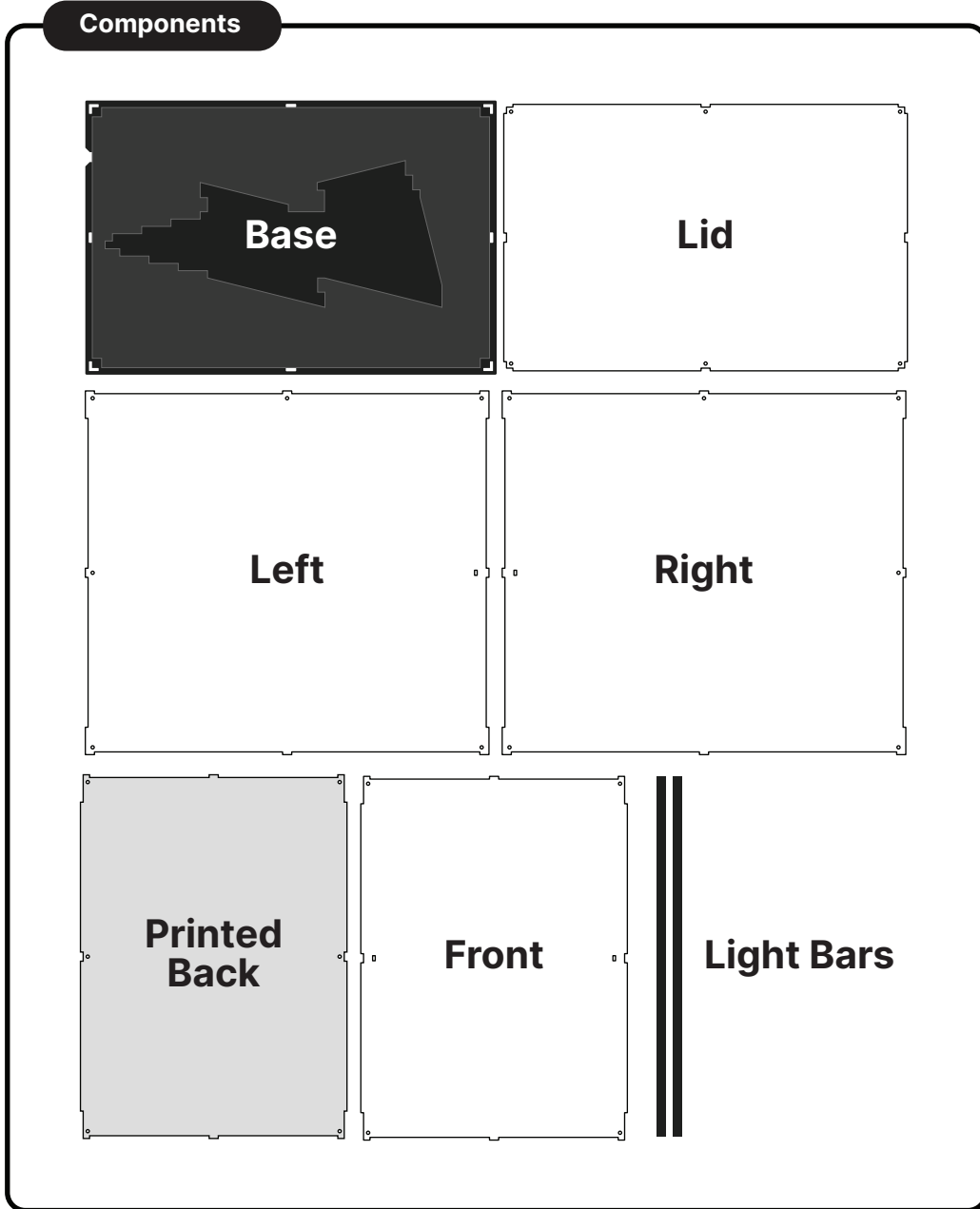


# PIKACHU & POKÉ BALL (72152) DISPLAY CASE



## Components



## Fixings

E. 3-Way Lid Corner Connector Cubes



F. 2-Way Connector Cubes



G. M3 Screws (Included in packet)



H. Clear Support Clip

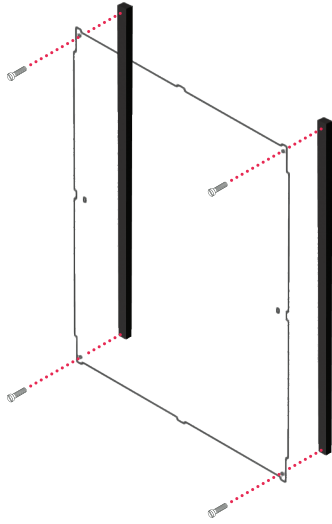


Also includes a USB Cable



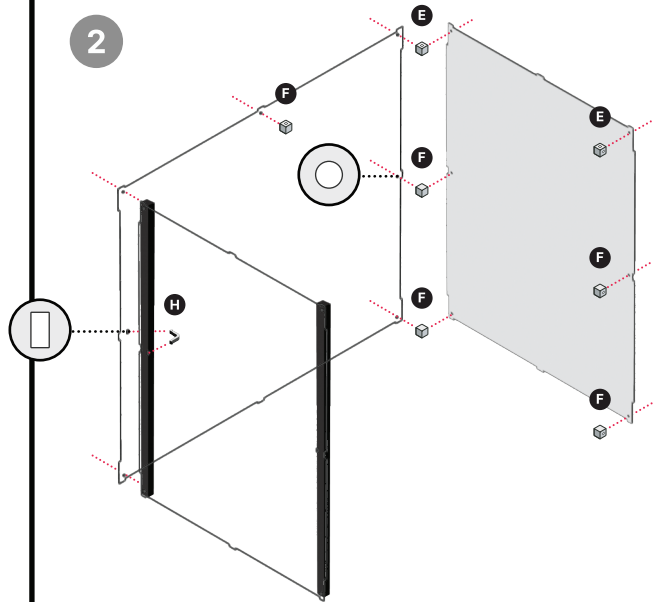
All panels without print are provided with manufacturing film on both sides. Once peeled, the items will appear crystal clear and not cloudy.

1



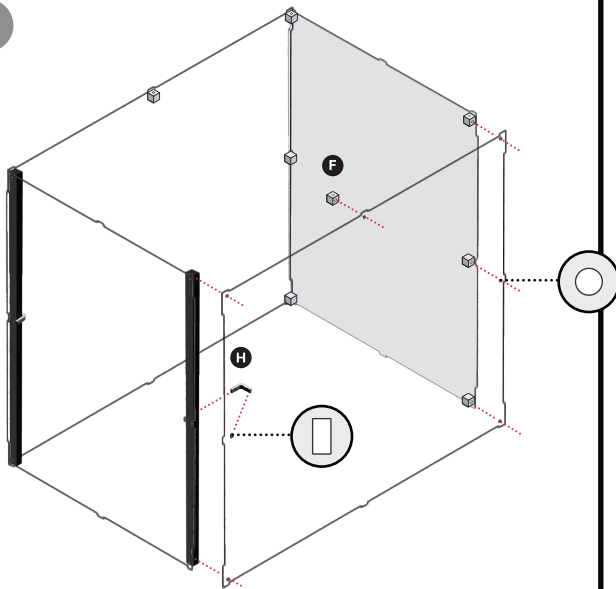
Attach the two light bars to the inside of the front panel. Ensure the white diffusers are facing inwards and that the protruding contact pins are at the bottom.

2



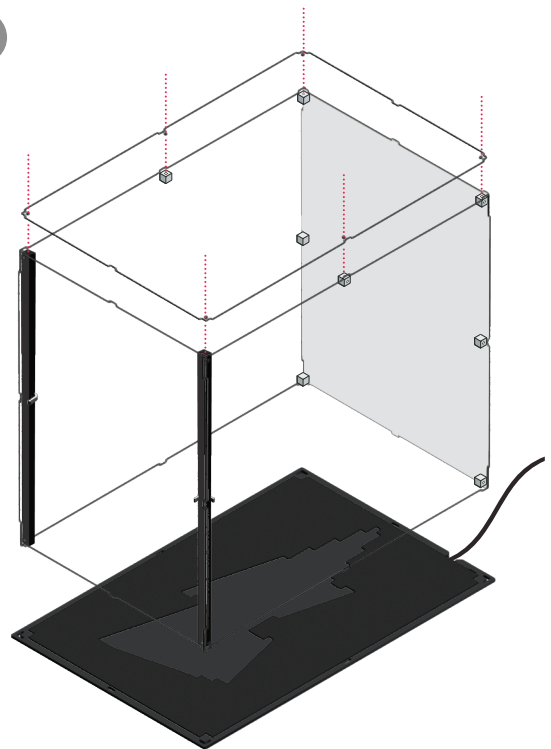
Attach the back panel to the left panel, ensuring it's oriented correctly and using the correct lettered fixing. Screw the front panel onto the completed section and add clip H.

3



Attach the right-side panel in the correct orientation and add clip H to complete all sides.

4



Finally, screw in the lid and seat the finished case onto the base. Plug the USB cable into the base and power source, and your case will illuminate! The lights will turn on and off when you remove the top from the base.



**Please Note**

It's recommended that you use a power supply that is at least 2 amps (2A) at 5 volts. The light may appear dimmer if this is not achieved.



Please help review us on Trustpilot!